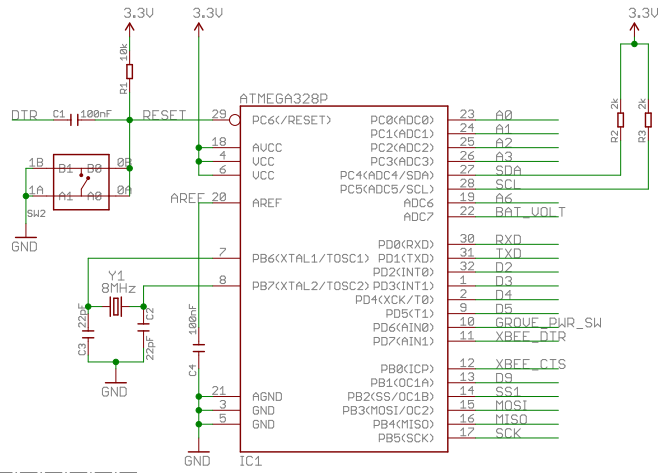
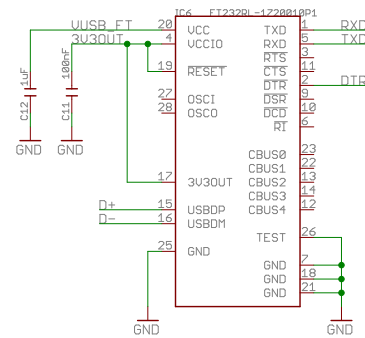


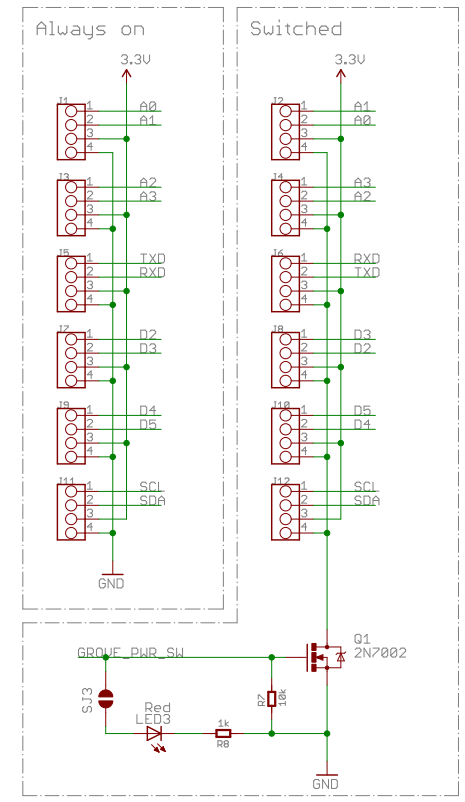
ATMEGA328P



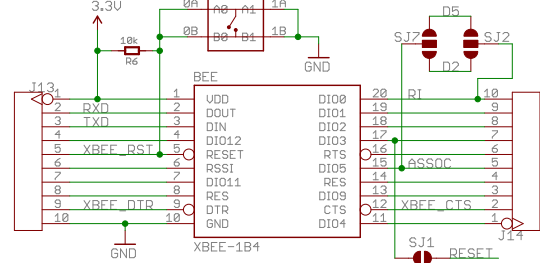
FT232RL



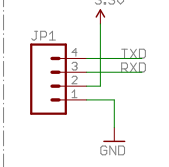
GROVE



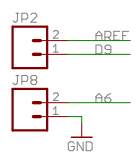
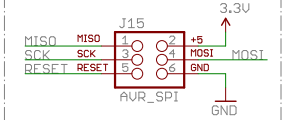
XBEE



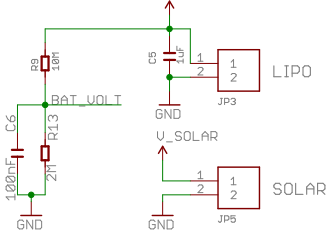
UART



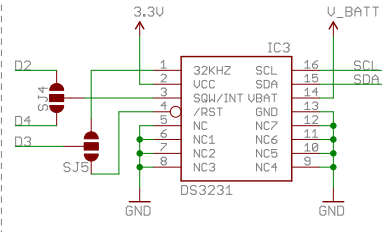
ICSP



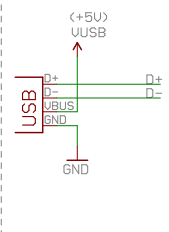
JST



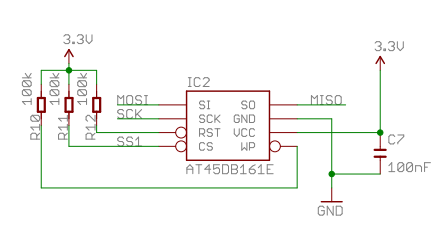
RTC



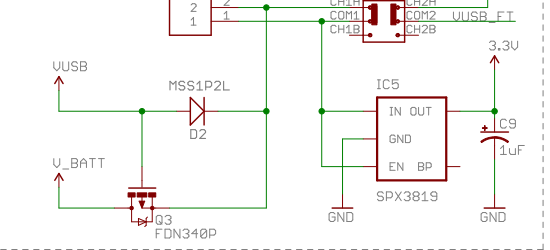
USB



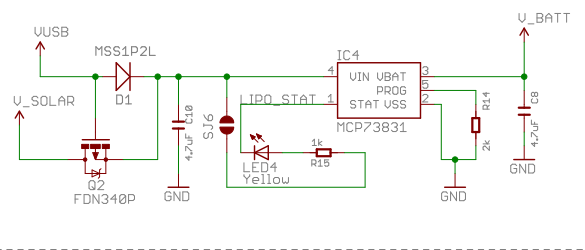
SERIAL FLASH



3.3 VOLT



LIPO CHARGER



SODAQ

TITLE: sodaq_moja_rev4

Design by: G. Knauff
[GKNFF]

REV: 4

Date: 3/12/13 17:59:33

Sheet: 1/1