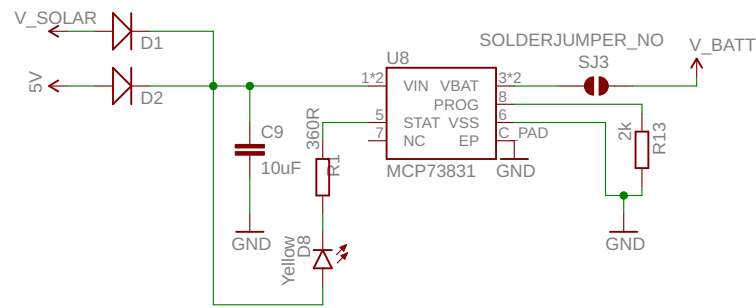
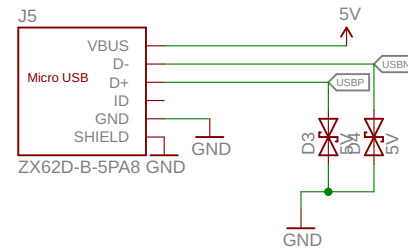


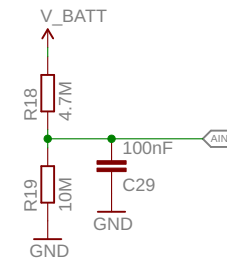
Battery Charging



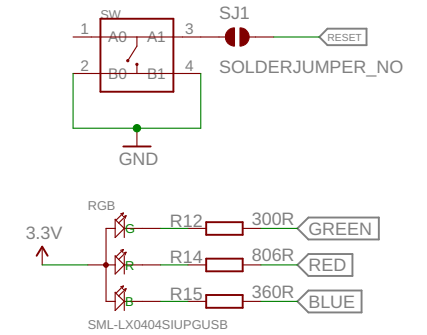
USB



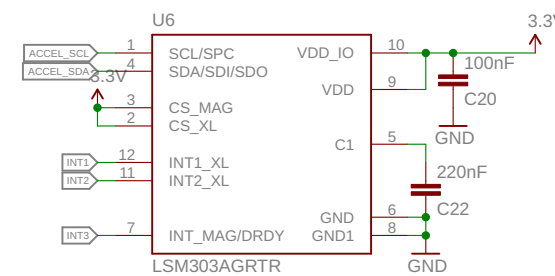
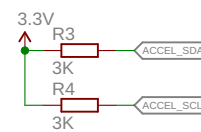
Battery measurement



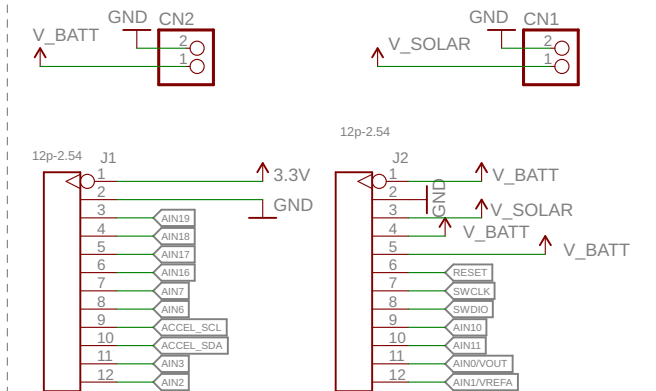
RGB LED & Reset Button



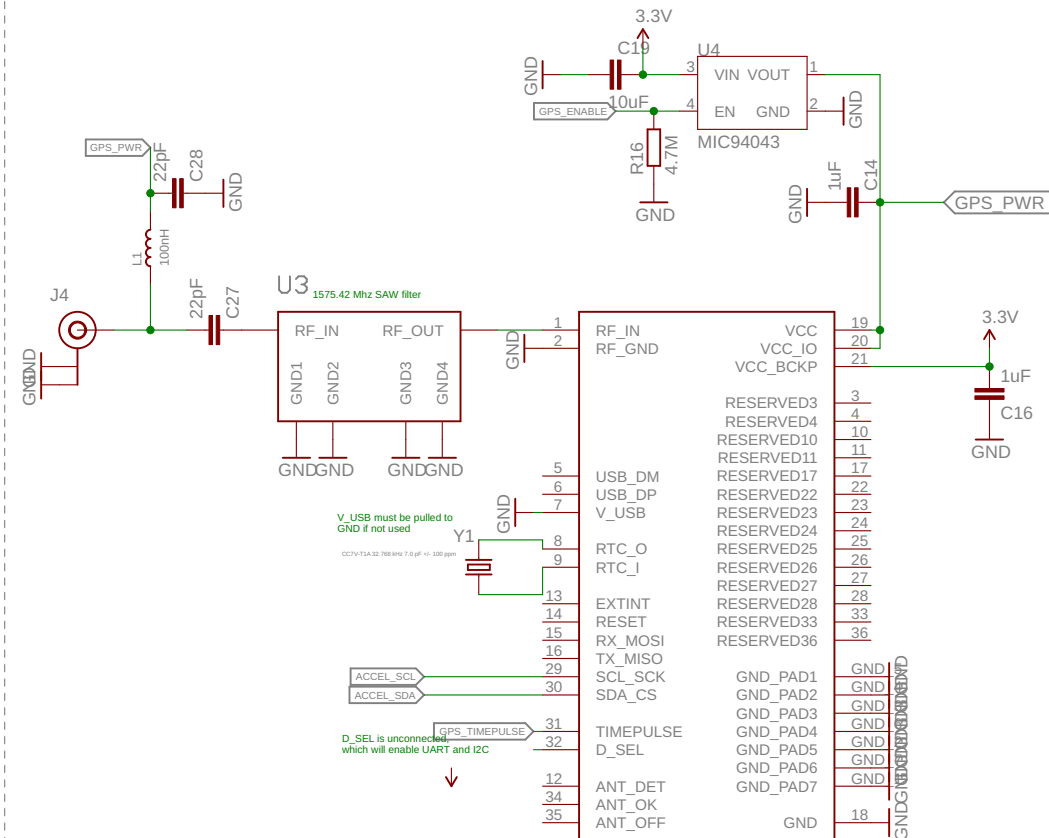
Accelerometer



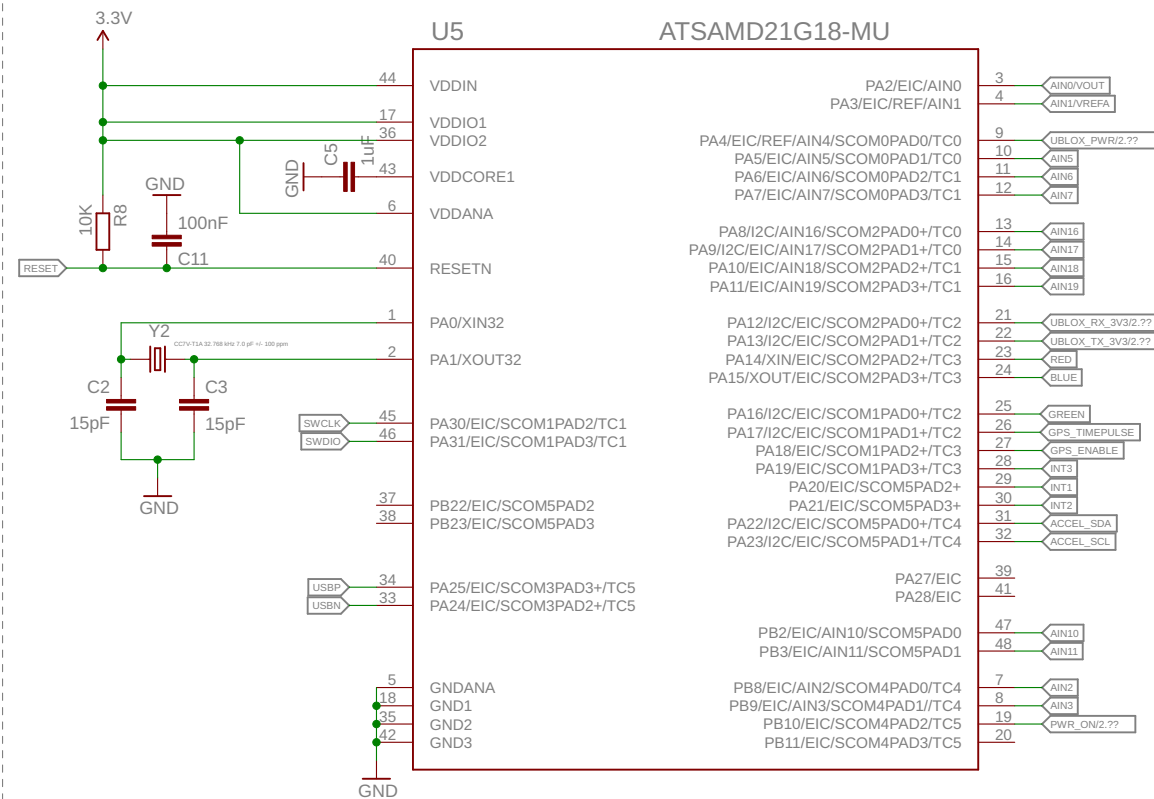
Connectors



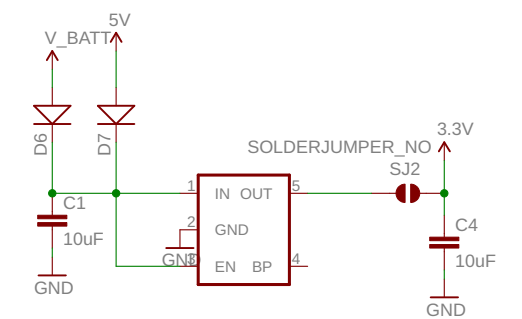
GPS Circuit



Microcontroller



Voltage Regulator



TITLE: SODAQ-SARA-SFF

Document Number:

REV: 1

Date: 05/28/18 10:23

Sheet: 1/3