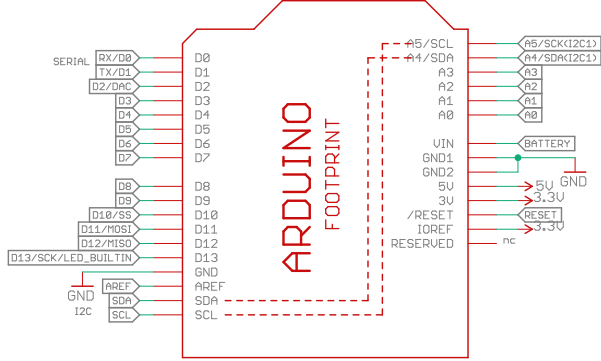
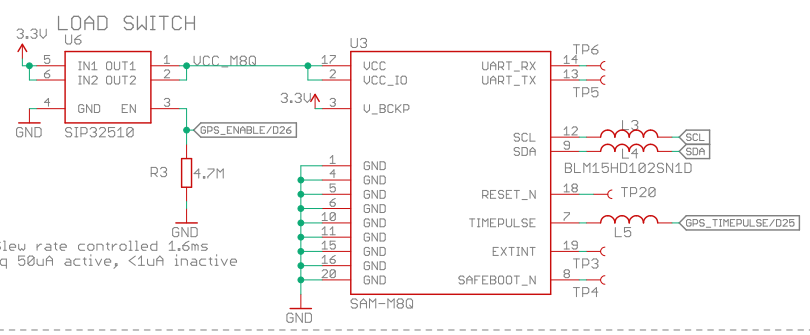


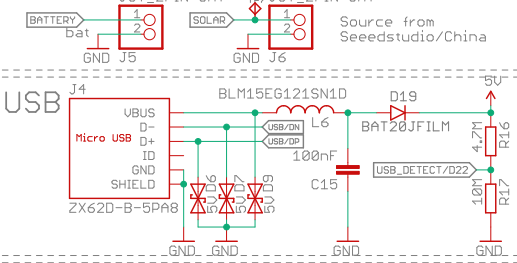
ARDUINO HEADER/LAYOUT



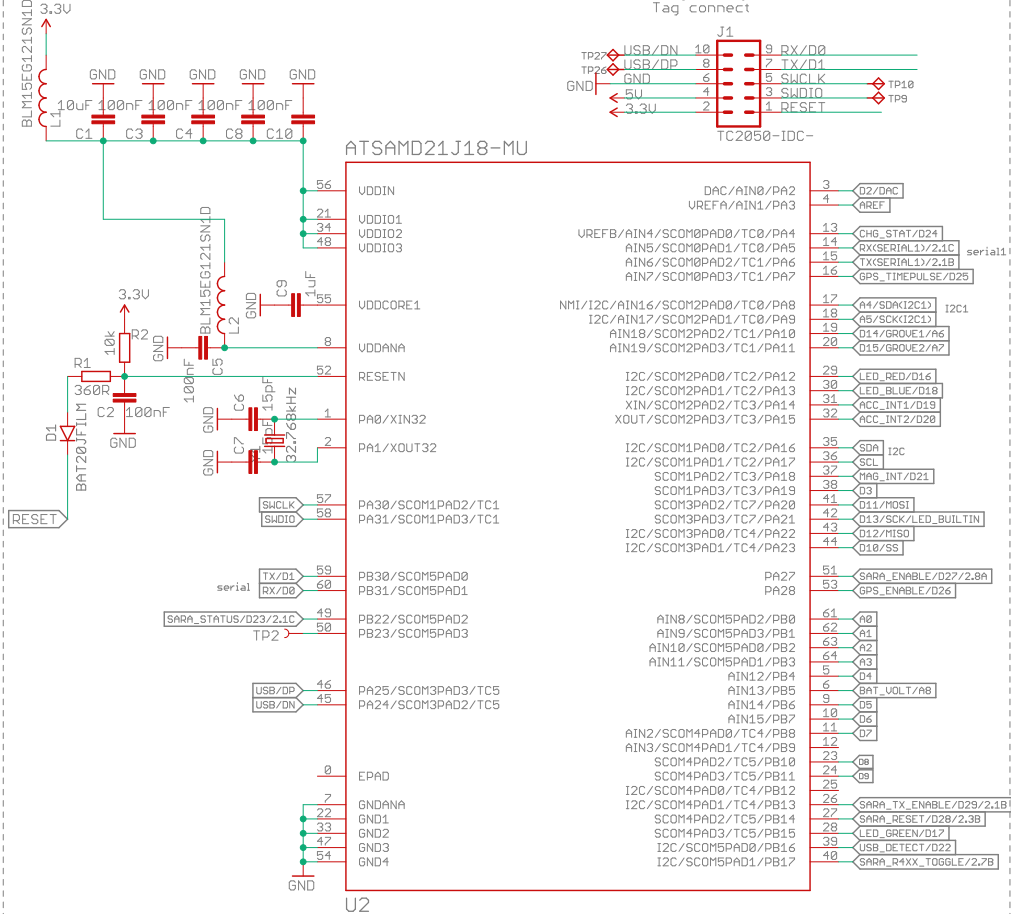
SAM-M8Q (GPS MODULE)



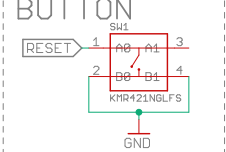
SOLAR & BATTERY CONNECTORS



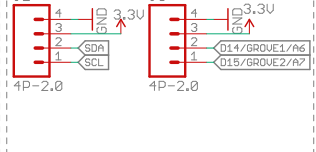
ATSAMD21G18 (MICROCONTROLLER)



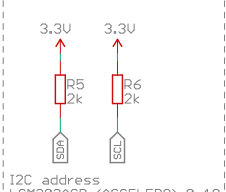
RESET BUTTON



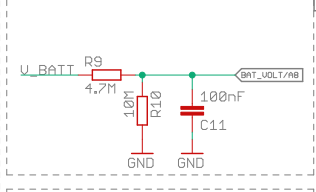
GROVE HEADERS



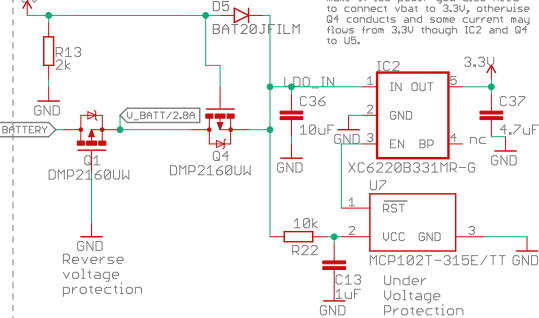
I2C PULL UPS



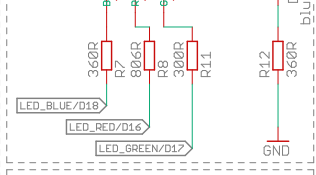
Battery voltage measurement



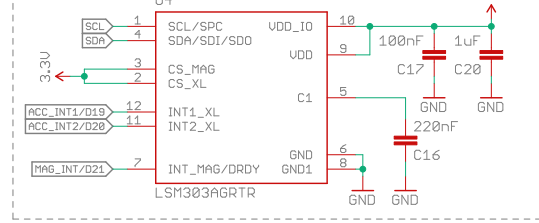
3.3V LDO + UVP



LEDs



LSM303AGR/LSM303C (ACCELERO & MAGNETO)



SODAQ

TITLE: SARA

Design by: Jasper Sikken

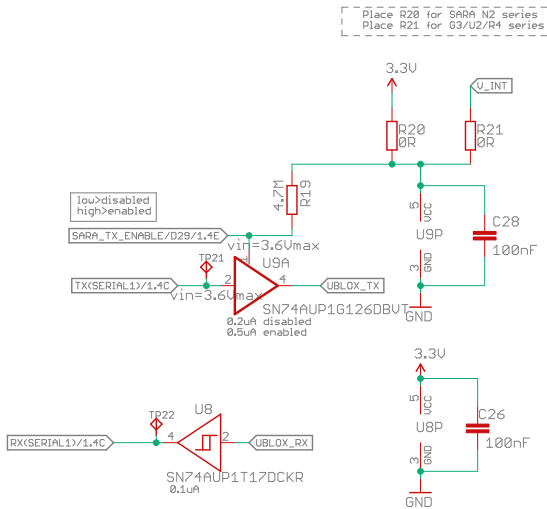
Date: 13/08/2018 14:48

REV: R3.00

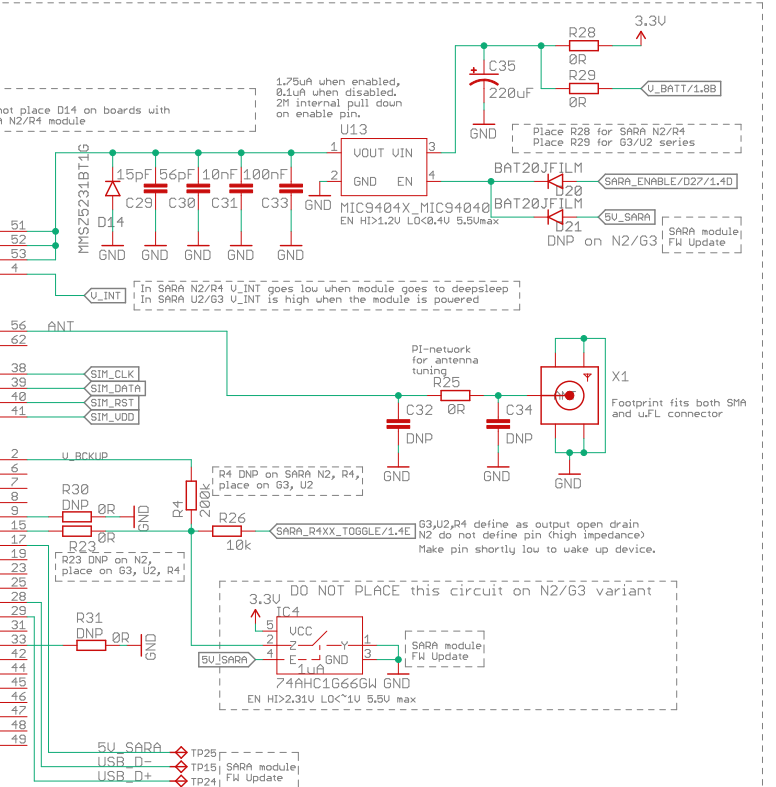
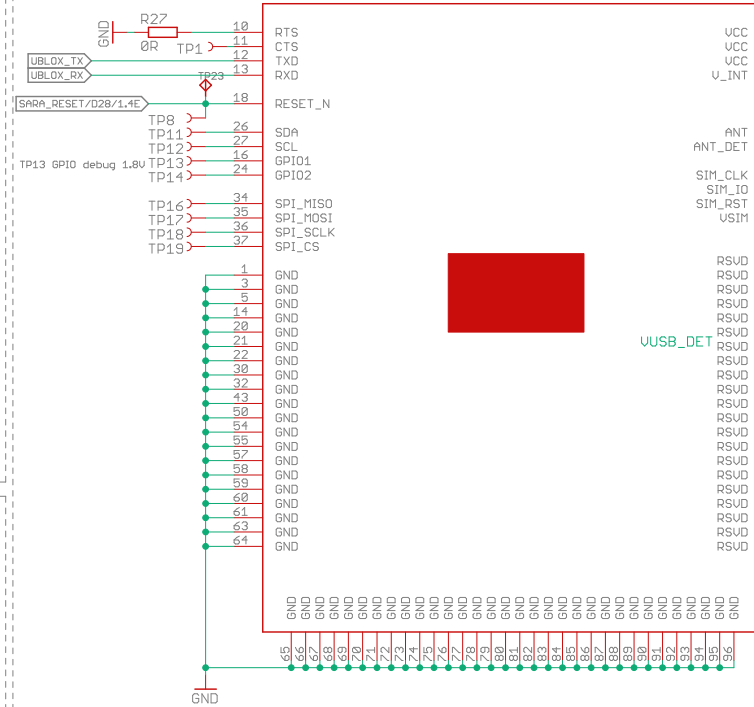
Sheet: 1/2

Change log see next page

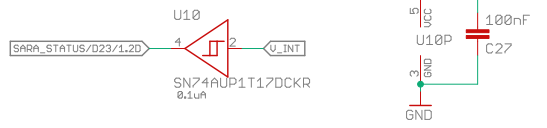
LEVEL CONVERTERS UART



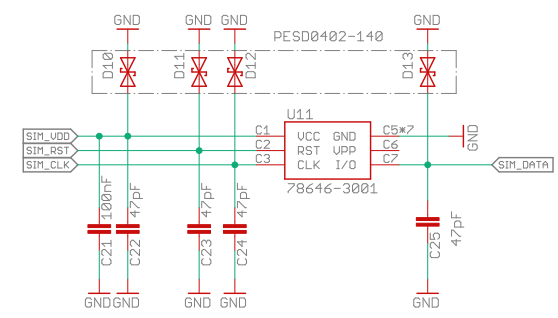
UBLOX SARA MODULE



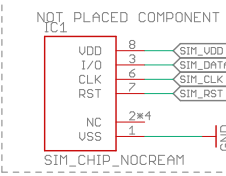
LEVEL CONVERTER V_INT



SIM CARD HOLDER



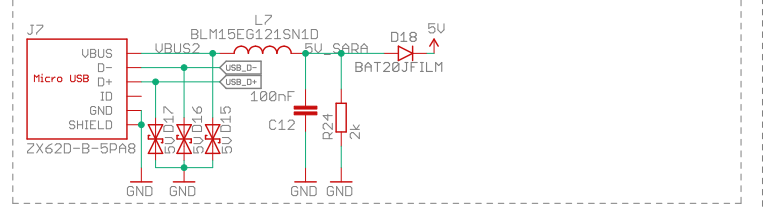
SIM CHIP



Revision history

- R2: Added test points for FW update of SARA module
- R2.01: Changed net names to use same names as in SODAQ board files and on support page
- R2.02: Changed silkscreen to 'Designed by SODAQ'
- R3.00: Added J7 (USB conn), D15, D16, D17, L7, C12, R24
- Added two diodes to SARA_ENABLE (D20, D21)
- Added IC4 (switch to pull PAIR_ON low)
- Removed TP28 (SARA_ENABLE)
- Added R26 (toggle) R27 (RTS) R30 (DTR) R31 (pin33)
- Changed board name on silkscreen to SODAQ SARA AFF
- Removed 'Designed by SODAQ' in silkscreen

USB for SARA FW update



SODAQ

| | | |
|--------------------------|------------|------------|
| TITLE: SARA | | REV: R3.00 |
| Design by: Jasper Sikken | | |
| Date: 13/08/2018 14:48 | Sheet: 2/2 | |